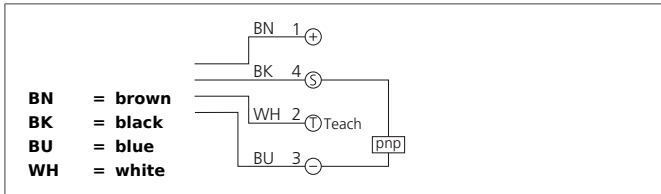


## OLKTD 61 P3-T4

### Amplifier for plastic fiber optics

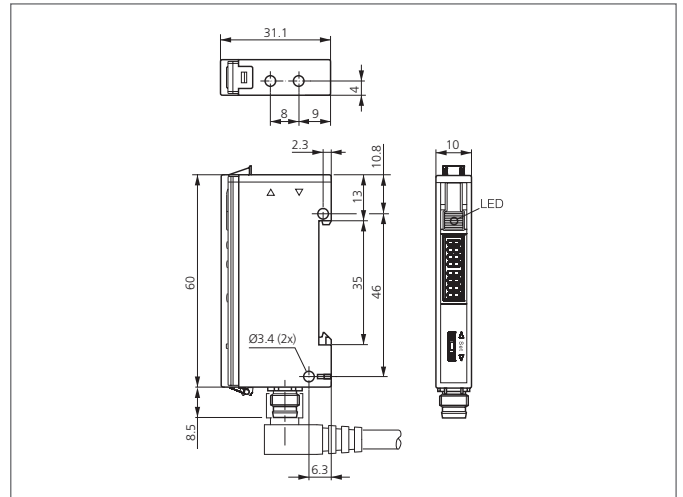
- Digital LED display of threshold value and signal strength
- Different teach modes / manual fine adjustment
- Programmable pulse delay / stretching
- DIN-rail mounting and lateral mounting holes
- High operating distance
- High protection class



#### Safety instructions

The Instruments are not to be used for safety applications, in particular applications in which safety of persons depends on proper operation of the instruments.

These instruments shall exclusively be used by qualified personnel.



TECHNICAL INFORMATION (typ.)	
Amplifier for	+20°C, 24V DC Plastic fiber optics 2x2,2 mm
Evaluation	digital
Emitted light	Red, 680 nm, clocked
Service voltage	10 ... 30 V DC
Internal power consumption	< 30 mA
Sensitivity adjustment	Teach key
Switching output	pnp, 200 mA, NO/NC, programmable
Switching hysteresis	< 5 %
Display	digital LED display
Voltage drop	< 2,0 V
Switching frequency	4.000 Hz
Response-/release time	0,125 ms / 0,125 ms
Ambient temperature	-25 ... +55 °C
Temperature drift	0,2 %/K
Ambient light immunity	5 kLx, Halogen light, > 10 kLx, Sunlight
Insulation voltage endurance	500 V
Protection class	IP 64
Casing material	plastics (PBT)
Connection	Connector, M8, 4-poled